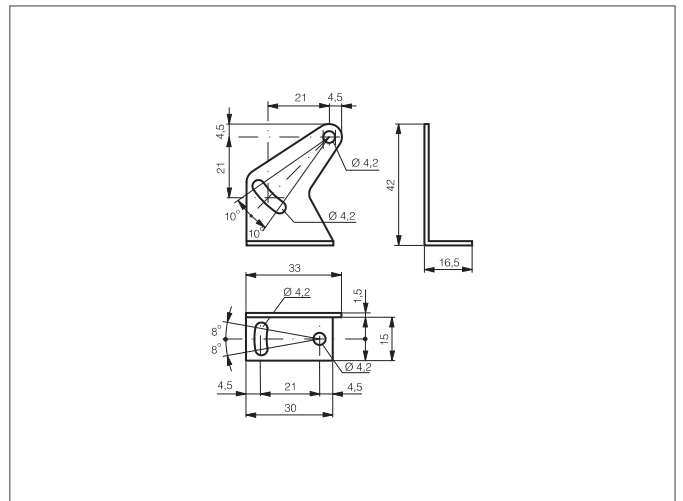
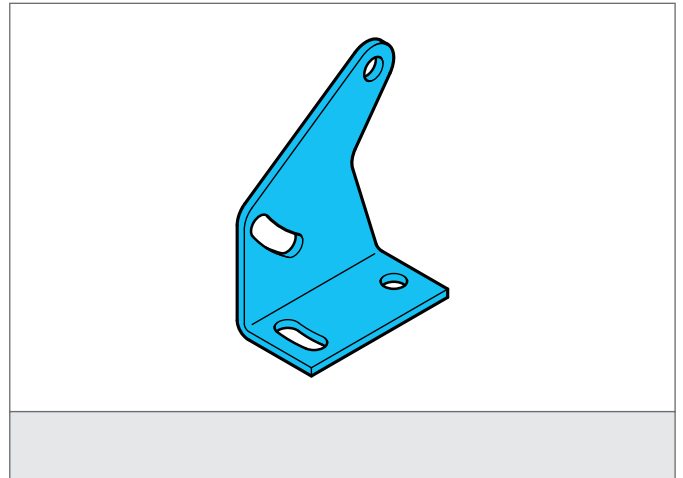


BW 30 Mounting Bracket

- Adjustable
- Robust design



TECHNICAL INFORMATION (typ.)

Hole spacing	21 x 21 mm
Mounting hole	Ø 4,2 mm
Casing material	metal